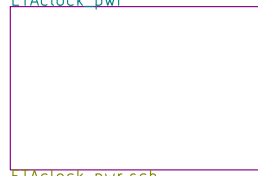
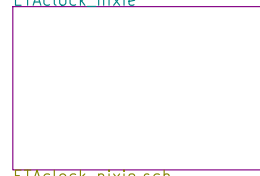


ETAclock\_pwr



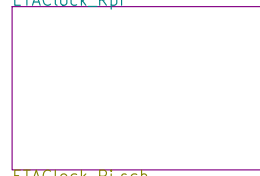
ETAclock\_pwr.sch

ETAclock\_nixie



ETAclock\_nixie.sch

ETAclock\_Rpi



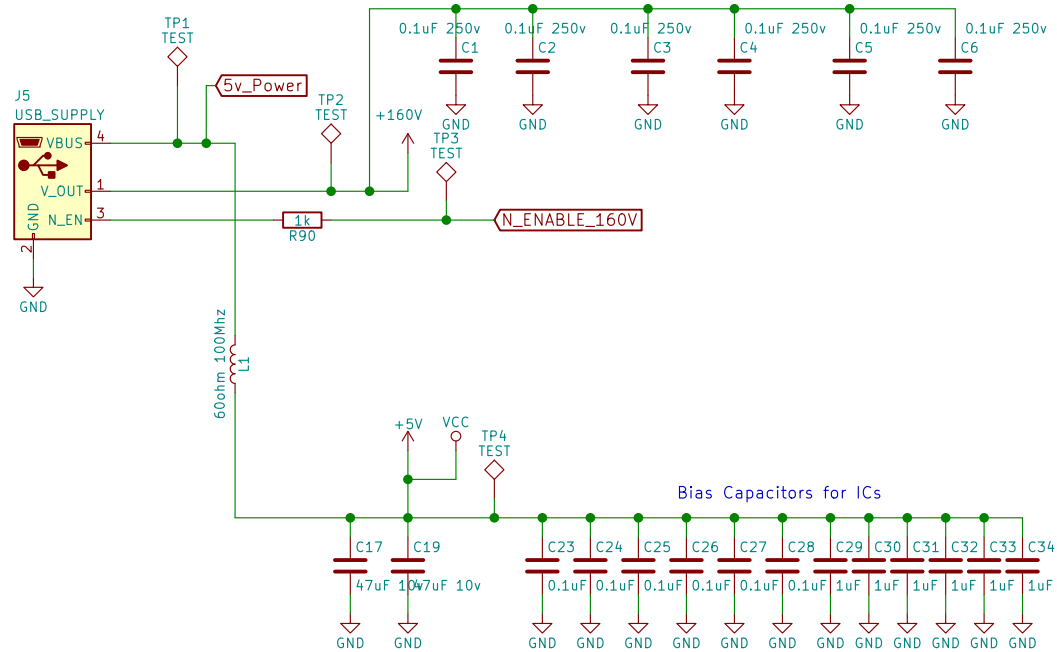
ETAclock\_PI.sch

Sheet: /  
File: ETAclock.sch

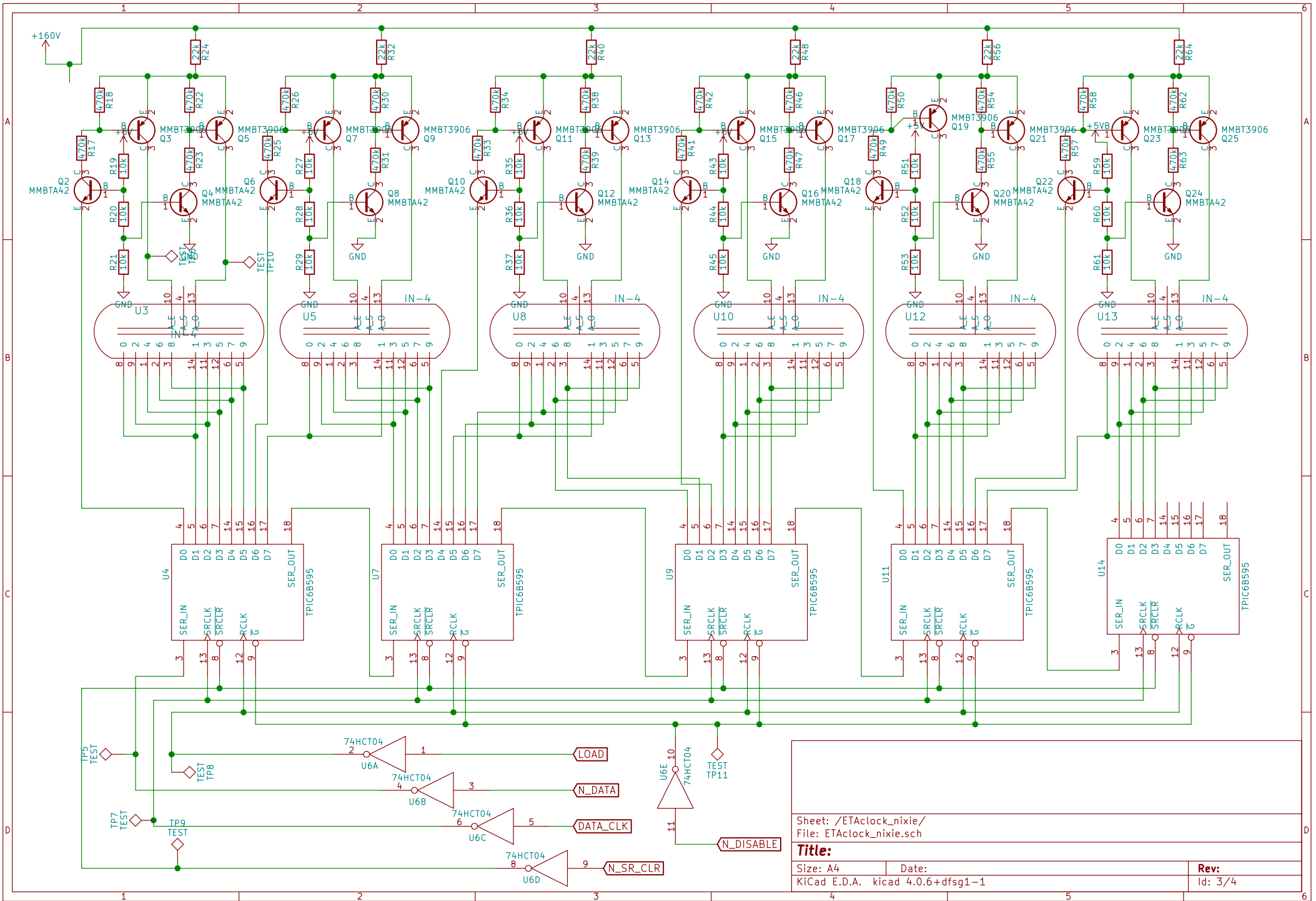
**Title:**

Size: A4      Date:  
KiCad E.D.A. kicad 4.0.6+dfsg1-1

**Rev:**  
Id: 1/4



Sheet: /ETAclock_pwr/		
File: ETAclock_pwr.sch		
<b>Title:</b>		
Size: A4	Date:	Rev:
KiCad E.D.A. kicad 4.0.6+dfsg1-1		Id: 2/4



Sheet: /ETAclock\_nixie/  
 File: ETAclock\_nixie.sch

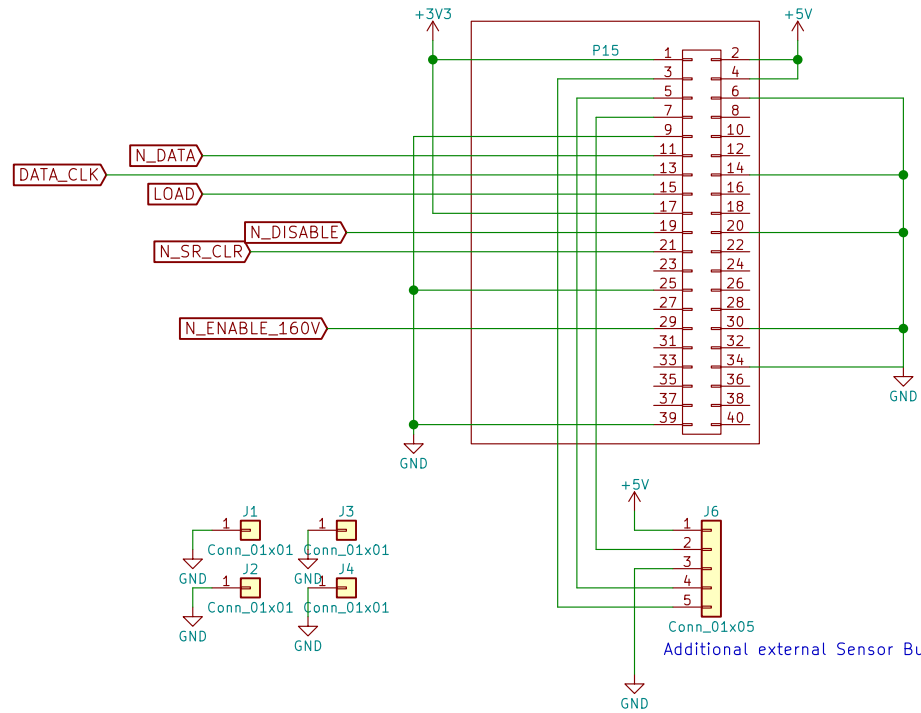
**Title:**

Size: A4      Date:

KiCad E.D.A.    kicad 4.0.6+dfsg1-1

**Rev:**  
 Id: 3/4

Raspberry\_PLZero\_Hat



Raspberry Pi GPIO Header  
A+, B+, Zero, Pi2

Pin#	NAME	NAME	Pin#
01	3.3v DC Power	DC Power 5v	02
03	GPIO02 (SDA1 , I <sup>2</sup> C)	DC Power 5v	04
05	GPIO03 (SCL1 , I <sup>2</sup> C)	Ground	06
07	GPIO04 (GPIO_GCLK)	(TXD0) GPIO14	08
09	Ground	(RXD0) GPIO15	10
11	GPIO17 (GPIO_GEN0)	(GPIO_GEN1) GPIO18	12
13	GPIO27 (GPIO_GEN2)	Ground	14
15	GPIO22 (GPIO_GEN3)	(GPIO_GEN4) GPIO23	16
17	3.3v DC Power	(GPIO_GEN5) GPIO24	18
19	GPIO10 (SPI_MOSI)	Ground	20
21	GPIO09 (SPI_MISO)	(GPIO_GEN6) GPIO25	22
23	GPIO11 (SPI_CLK)	(SPI_CE0_N) GPIO08	24
25	Ground	(SPI_CE1_N) GPIO07	26
27	ID_SD (I <sup>2</sup> C ID EEPROM)	(I <sup>2</sup> C ID EEPROM) ID_SC	28
29	GPIO05	Ground	30
31	GPIO06	GPIO12	32
33	GPIO13	Ground	34
35	GPIO19	GPIO16	36
37	GPIO26	GPIO20	38
39	Ground	GPIO21	40

Rev. 1.5  
09/02/2016  
www.element14.com/RaspberryPi